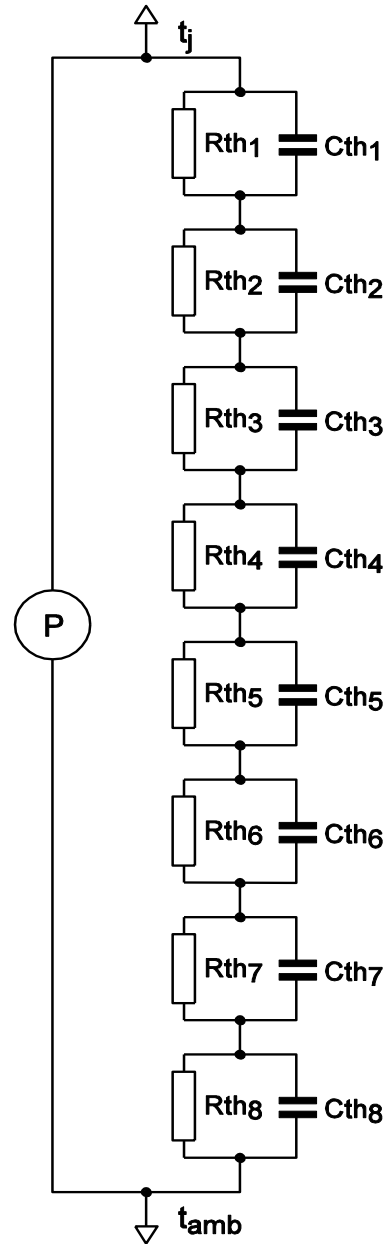


SPICE thermal model

BUK7E4R3-75C

Symbol	Parameter	Conditions	Min	Typ	Max	Unit
$R_{th(j-mb)}$	thermal resistance from junction to mounting base		-	-	0.49	K/W

Cth ₁	9.100E-02 F
Cth ₂	1.600E-02 F
Cth ₃	4.002E-03 F
Cth ₄	1.023E-03 F
Cth ₅	2.617E-04 F
Cth ₆	6.690E-05 F
Cth ₇	1.711E-05 F
Cth ₈	4.374E-06 F
Rth ₁	3.290E-01 Ω
Rth ₂	1.210E-01 Ω
Rth ₃	3.000E-02 Ω
Rth ₄	7.379E-03 Ω
Rth ₅	1.822E-03 Ω
Rth ₆	4.499E-04 Ω
Rth ₇	1.111E-04 Ω
Rth ₈	2.744E-05 Ω



Part: BUK7E4R3-75C
 Version: 1
 Date: 17-9-2010
 Rth: 0.490614391

001aal768